

AIRPAX® | 3000 Series TEMPERATURE SENSOR PROBES

FEATURES

- Stainless steel probe assemblies
- Thermistor, RTD or IC sensing technologies
- Ideal for immersion, surface and air sensing

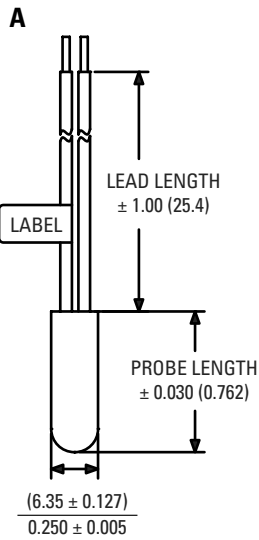
DESCRIPTION

The Airpax™ 3000 series is part of Sensata's growing line of standard temperature sensors. An ideal solution for monitoring and regulating temperature in equipment and processes, the 3000 series offers the choice of thermistor, RTD or Integrated Circuit (IC) temperature sensing technology.

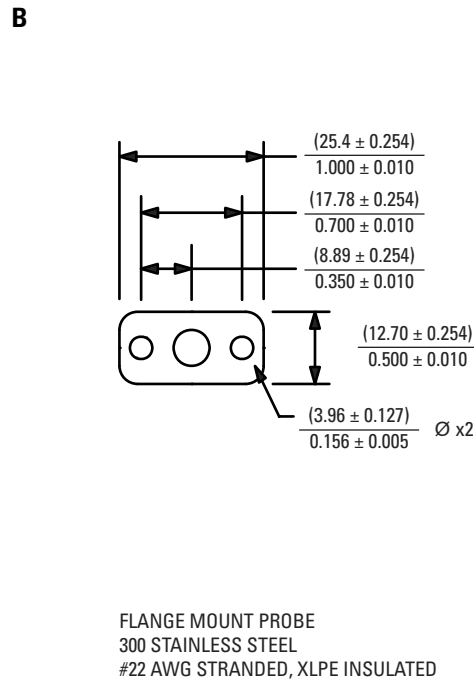
Since no single technology is optimal for every application, the VeriSense™ 3000 offers several thermal-sensing options from which to choose. Thermistor, RTD or Integrated Circuit sensing elements are available. Each of these technologies offers unique advantages. Airpax experts can help select the right temperature sensing technology for a specific application.

The 3000 series offers the advantage of today's best temperature sensing technology in standard, low-cost probe assemblies that ensure the technology performs accurately and reliably in demanding applications. Whether surface, liquid, or ambient air sensing is required, the Airpax™ 3000 series offers an optimal probe assembly. Flexible leads suitable for welding or soldering provide reliable connections and greater access to remote locations.

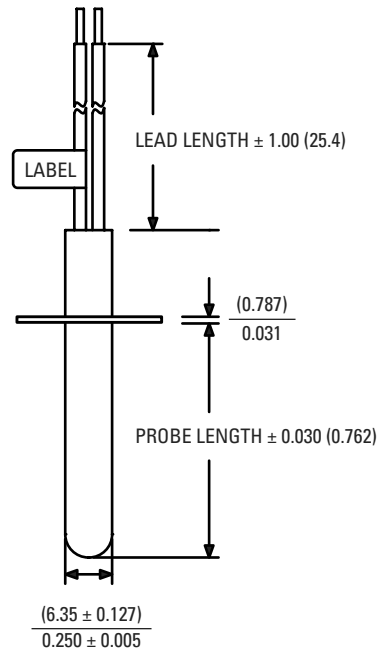
1. BODY SELECTION



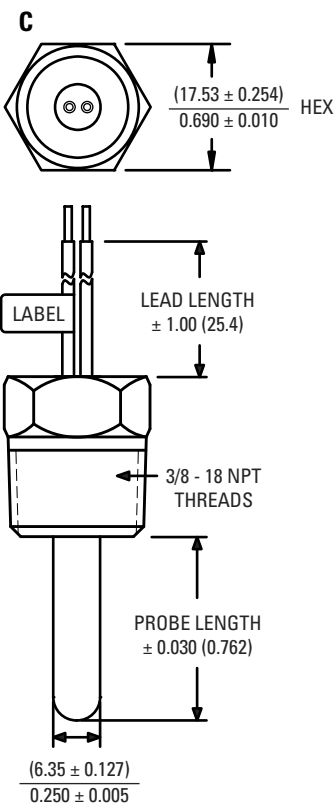
STRAIGHT PROBE
300 STAINLESS STEEL
#22 AWG STRANDED, XLPE INSULATED



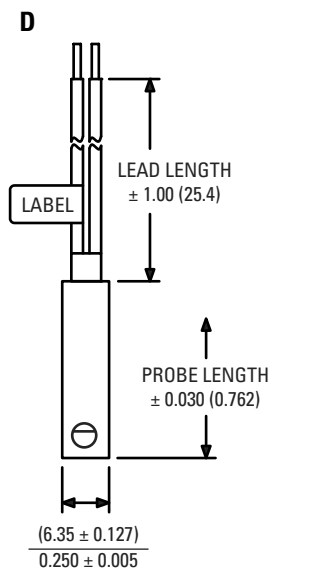
FLANGE MOUNT PROBE
300 STAINLESS STEEL
#22 AWG STRANDED, XLPE INSULATED



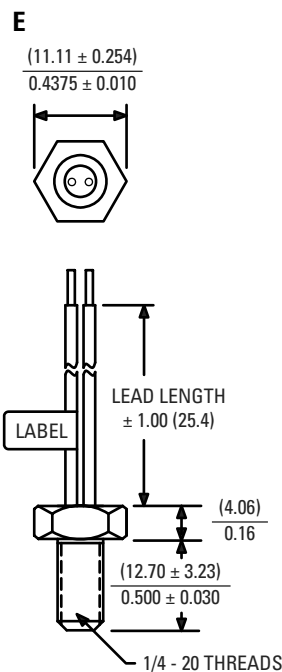
(6.35 ± 0.127)
0.250 ± 0.005



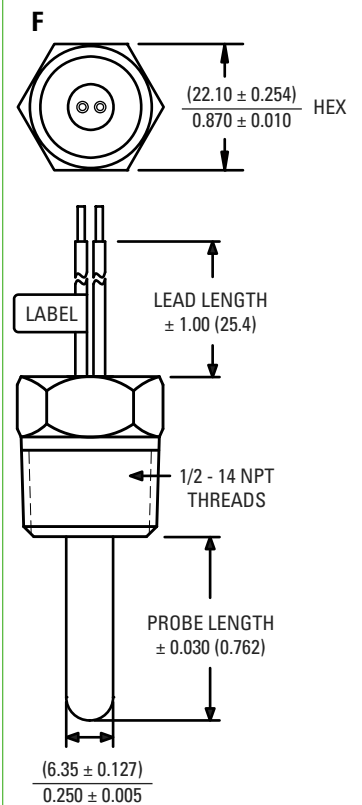
3/8 - 18 NPT THREADED PROBE
300 STAINLESS STEEL
#22 AWG STRANDED, XLPE INSULATED



STRAIGHT PROBE
300 STAINLESS STEEL
#22 AWG STRANDED, XLPE INSULATED



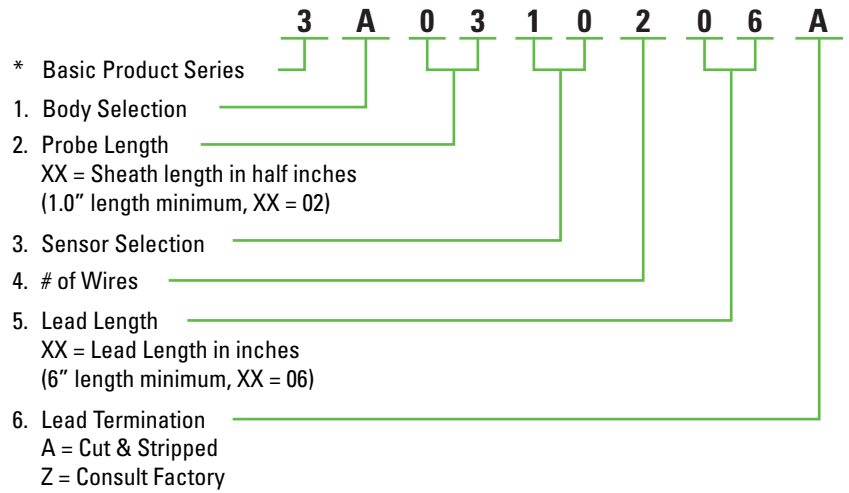
1/4 - 20 THREADED BOLT
300 STAINLESS STEEL
#22 AWG STRANDED, XLPE INSULATED



1/2 - 14 NPT THREADED PROBE
300 STAINLESS STEEL
#22 AWG STRANDED, XLPE INSULATED

EXAMPLE : 3 A 03 10 2 06 A

3A = 3000 series, straight probe
 03 = 1.5" length
 10 = RTD
 2 wire, 06 = 6" leads
 cut & stripped termination



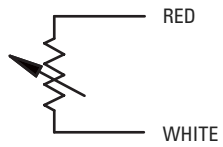
3. SENSOR SELECTION

CODE	TYPE	INPUT	OUTPUT	OUTPUT CHANGE W/ TEMPERATURE	TOLERANCE	TEMPERATURE RANGE
10	RTD	1 mA	100Ω at 0°C	0.385Ω per °C	±0.06Ω at 0°C	-40°C to 125°C
11	RTD	1 mA	100Ω at 0°C	0.385Ω per °C	±0.12Ω at 0°C	-40°C to 125°C
15	RTD	1 mA	1,000Ω at 0°C	3.85Ω per °C	±1.2Ω at 0°C	-40°C to 125°C
20	IC	4 to 30 VDC	0.000 Volts at 0°C	10mV per °C	±1°C at 25°C	0°C to 100°C
21	IC	2.7 to 10 VDC	0.600 Volts at 0°C	10mV per °C	±3°C at 25°C	-25°C to 85°C
30	THERMISTOR	10 mA	1,000Ω at 25°C	NON-LINEAR (PTC)	±1.3°C at 25°C	-40°C to 125°C
31	THERMISTOR	0.4 mA	10,000Ω at 25°C	NON-LINEAR (NTC)	±0.2°C, 0°C to 70°C	-40°C to 125°C
ZZ	CONSULT FACTORY	CONSULT FACTORY	CONSULT FACTORY	CONSULT FACTORY	CONSULT FACTORY	CONSULT FACTORY

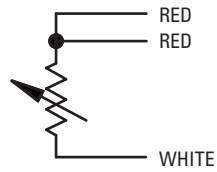
4. NUMBER OF WIRES

CODE	SENSOR WIRING
2	2 wires for sensor codes 10, 11, 15, 30, 31
3	3 wires for sensor codes 10, 11, 15, 20, 21
4	4 wires for sensor codes 10, 11, 15

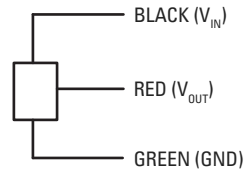
WIRE COLOR SCHEMATIC



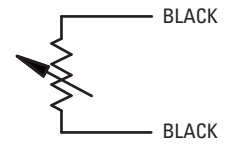
OPTION 10, 11, 15



OPTION 10, 11, 15



OPTION 20, 21, 22



OPTION 30, 31



SENSATA TECHNOLOGIES

529 Pleasant Street
Attleboro, MA 02703-0964 USA
1-508-236-3287 (Main)
1-508-236-1598 (Fax)
<http://airpax.sensata.com>
<http://www.sensata.com>

Important Notice: Sensata Technologies (Sensata) reserves the right to make changes to or discontinue any product or service identified in this publication without notice. Sensata advises its customers to obtain the latest version of the relevant information to verify, before placing any orders, that the information being relied upon is current. Sensata assumes no responsibility for infringement of patents or rights of others based on Sensata applications assistance or product specifications since Sensata does not possess full access concerning the use or application of customers' products. Sensata also assumes no responsibility for customers' product designs.